

Description & Features

- Diaphragm seal with welded body and diaphragm for general applications
- Welded type male connection

Applications

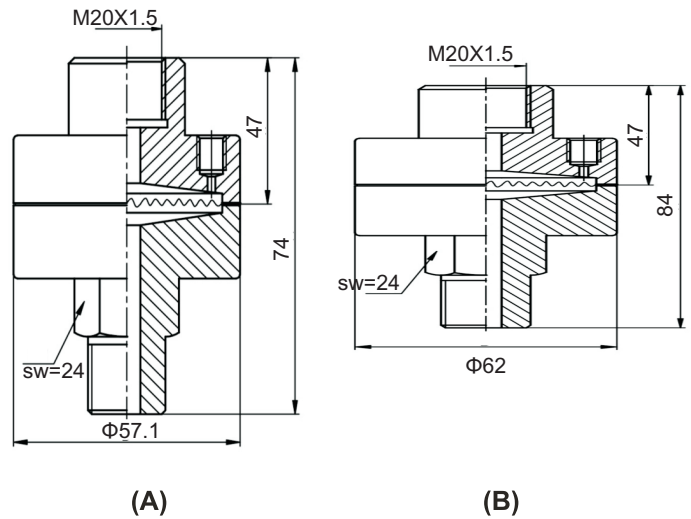
- Suitable for high pressure ranges
- Suitable for corrosive, contaminated or hot pressure media
- Chemical process industry
- Petrochemical industry
- Water treatment



Specifications

- **Mounting**
Direct
- **Diaphragm Material**
AISI 316L stainless steel, welded
- **Body Material**
AISI 316 stainless steel, standard
Option: - AISI 316L stainless steel
- **Minimum operating pressure range**
A Type: 0...6 bar, B Type: -1...0 bar
- **Maximum operating pressure range**
A Type: 0...400 bar, B Type: 0...60 bar
- **Process connection**
G1/2" B, 1/2" NPT, M20X1.5
- **Filled Fluid**
Silicone Filled (Limited temperature range: -40/160°C)
High temperature oil (High limited temperature range: 230°C)
Food compatible fluid (Limited temperature range: -20/160°C)
Fluorolube Filled (Limited temperature range: -80/130°C)

Dimensions (Unit: mm)



Ordering Code D55 Series

Field No.	Code	Specifications
1.	<input type="text"/>	D55 Series
		Type
2.	<input type="text"/>	A "A" Type
	<input type="text"/>	B "B" Type
		Process Connection Size
3.	<input type="text"/>	2 1/2"
	<input type="text"/>	Z Special request
		Process Connection Thread
4.	<input type="text"/>	N NPT
	<input type="text"/>	G GB
	<input type="text"/>	P BSPP
	<input type="text"/>	M M20X1.5
	<input type="text"/>	Z Special request
		Filled Fluid
5.	<input type="text"/>	B Silicone Filled (Limited temperature range: -40/160°C)
	<input type="text"/>	F High temperature oil (High limited temperature range: 230°C)
	<input type="text"/>	G Food compatible fluid (Limited temperature range: -20/160°C)
	<input type="text"/>	E Fluorolube Filled (Limited temperature range: -80/130°C)