

INNOVA P

Shut-off Double Seat Valve



APPLICATION

The INNOVA P-type valve is a pneumatic shut-off double seat valve for hygienic applications. The leakage chamber, under atmospheric pressure, situated between the two seats ensures a safe interface between the two liquids, one of which is usually a CIP solution (cleaning agent).

The leakage chamber can be cleaned by independent lifting of the seats during the CIP cleaning of the line.

DESIGN AND FEATURES

Hygienic design according to EHEDG.

No leakage during the opening/closing of the valve.

Balanced lower seat.

Single-acting pneumatic actuator.

Easy assembly/disassembly of internal parts by loosening a clamp fastener.

Open lantern allows visual inspection of shaft sealing.

360° adjustable body.

TECHNICAL SPECIFICATIONS

Materials

| | |
|------------------------------------|--------------------|
| Parts in contact with the product | 1.4404 (AISI 316L) |
| Other stainless steel parts | 1.4301 (AISI 304) |
| Gasket in contact with the product | EPDM |

Surface finish

| | |
|----------|-----------------------------------|
| Internal | Bright polish $Ra \leq 0,8 \mu m$ |
| External | Matt |

Available sizes

| | |
|--|----------------|
| DIN EN 10357 series A (previously DIN 11850 series 2) | DN 40 - DN 100 |
|--|----------------|

| | |
|---|----------------|
| ASTM A269/270 (corresponds to OD pipe) | OD 1½" - OD 4" |
|---|----------------|

Connections

Weld

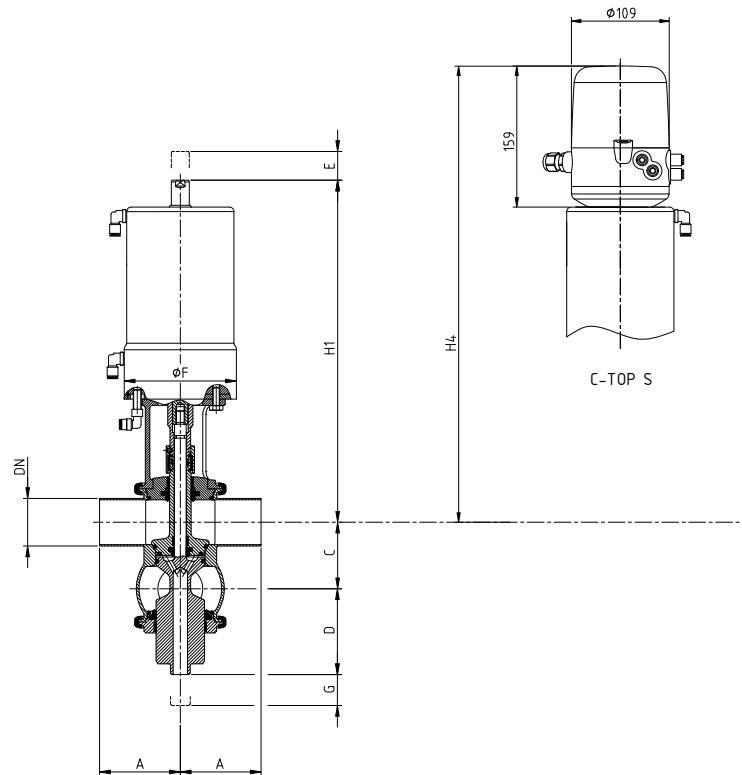
Operating limits

| | |
|--------------------------|---------------------|
| Temperature range | -10°C to 121°C |
| Temperatura SIP | 140°C (max. 30 min) |
| Maximum working pressure | 1000 kPa (10 bar) |
| Minimum working pressure | Vacuum |
| Compressed air pressure | 6 - 8 bar |

OPTIONS

Gaskets: FPM, HNBR.
 Other connection types.
 C-TOP S control unit.
 External position sensors.
 Internal surface finish: Ra ≤ 0,5 µm.

DIMENSIONS

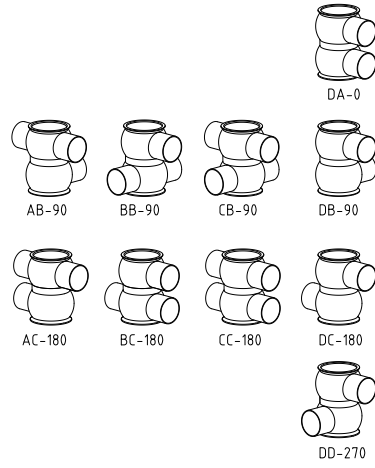


10.250.32.0050

| | DN | Pipe | A | C | D | E | ØF | G | H1 | H4 | kg ¹ |
|-----|-----|--------------|-----|-----|-----|----|-----|----|-----|-----|-----------------|
| DIN | 40 | 41,0 x 1,50 | 85 | 62 | 90 | 24 | 125 | 6 | 375 | 504 | 14 |
| | 50 | 53,0 x 1,50 | 90 | 74 | 96 | 24 | 125 | 6 | 381 | 510 | 15 |
| | 65 | 70,0 x 2,00 | 110 | 92 | 122 | 30 | 161 | 10 | 469 | 598 | 28 |
| | 80 | 85,0 x 2,00 | 125 | 107 | 129 | 30 | 161 | 10 | 477 | 605 | 30 |
| OD | 100 | 104 x 2,00 | 150 | 127 | 159 | 45 | 193 | 10 | 521 | 650 | 46 |
| | 1½" | 38,1 x 1,65 | 85 | 59 | 91 | 24 | 125 | 6 | 377 | 505 | 14 |
| | 2" | 50,8 x 1,65 | 90 | 72 | 97 | 24 | 125 | 6 | 382 | 511 | 15 |
| | 2½" | 63,5 x 1,65 | 110 | 86 | 125 | 30 | 161 | 10 | 472 | 601 | 28 |
| | 3" | 76,2 x 1,65 | 125 | 99 | 133 | 30 | 161 | 10 | 481 | 609 | 30 |
| | 4" | 101,6 x 2,11 | 150 | 124 | 160 | 45 | 193 | 10 | 523 | 661 | 46 |

1) The weights correspond to the CB-90 housing combination

HOUSING COMBINATIONS



10.250.32.0049